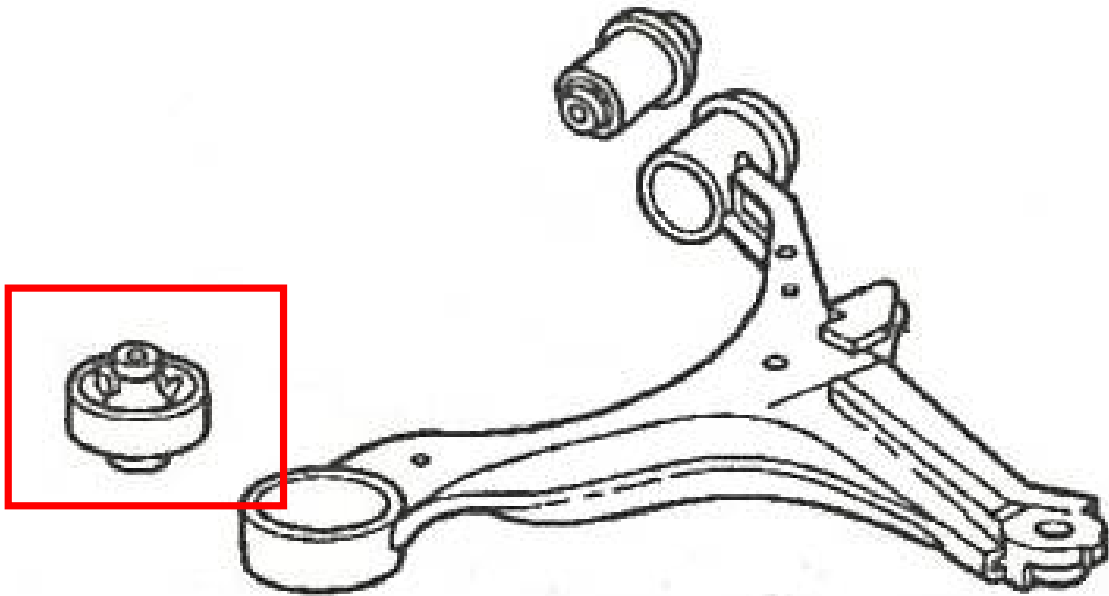
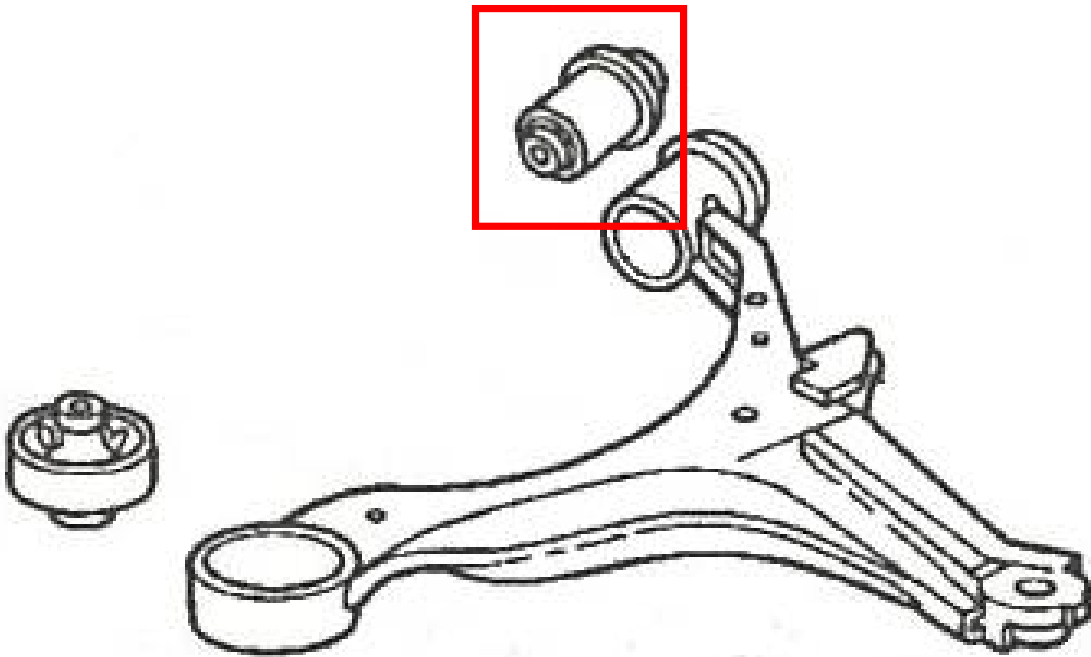


# INTEGRA TYPE R (DC5)

Parts Description	Bush Set, Front Compliance
Parts Number	51391-XK5 -SONO
Specification	2 pcs./set
Application	DC5

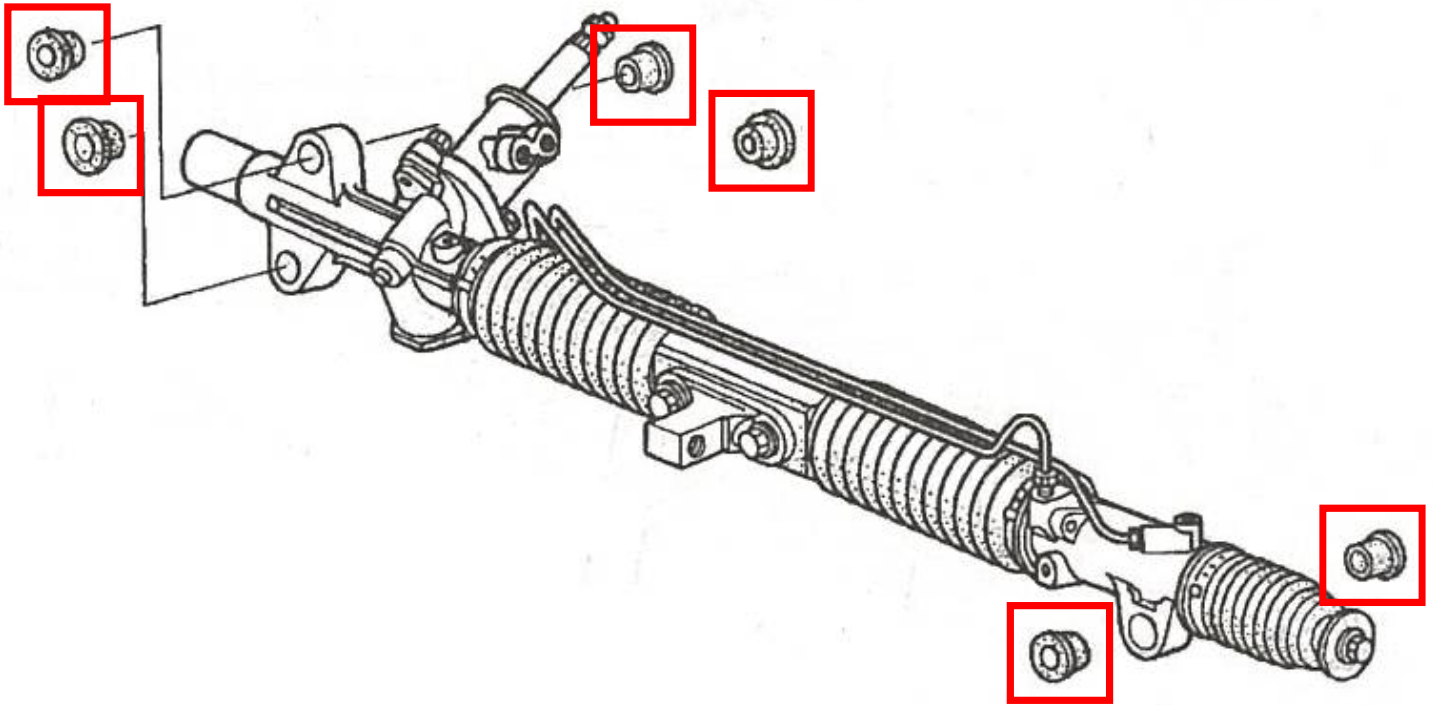


Parts Description	Bush Set, Front Lower Arm
Parts Number	51392-XK5 -SONO
Specification	2 pcs./set
Application	DC5



# INTEGRA TYPE R (DC5)

Parts Description	Cushion Set, Steering Gear Box
Parts Number	53685-XK5 -SONO
Specification	6 pcs./set
Application	DC5



Parts Description	Rubber Set, Engine Mount
Parts Number	50800-XK5 -SONO
Specification	3 pcs./set
Application	DC5

